



SafeSplitter

Dual 1:3 ASI splitter



DVB-T2[®]

SAFESPLITTER IS ENENSYS' DUAL 1:3 ASI SPLITTER WITH BYPASS AND ADVANCED MONITORING FEATURES.

SafeSplitter is a dual-channel 1:3 ASI splitter, with two independent splitters in one unit. Each channel splits one ASI input into 3 ASI outputs, typically to generate multiple outputs of the same MPEG-2 transport stream.

Additionally, **SafeSplitter** provides advanced independent monitoring of each the input MPEG-2 transport streams. **SafeSplitter** can detect errors and generate alarms based on ETR290 level 1, 2 and 3, T2-MI or advanced MPEG-2 TS errors. It also monitors MPEG-2 TS QoS; i.e. the Service Availability Error and Service Degradation Error ratios.

In case of power failure or equipment fault, **SafeSplitter** maintains service continuity with output of the input signal on output 1 of each channel with passive bypass. Therefore, one output of the input MPEG-2 TS is maintained regardless of any problem with the product or power supply failure.

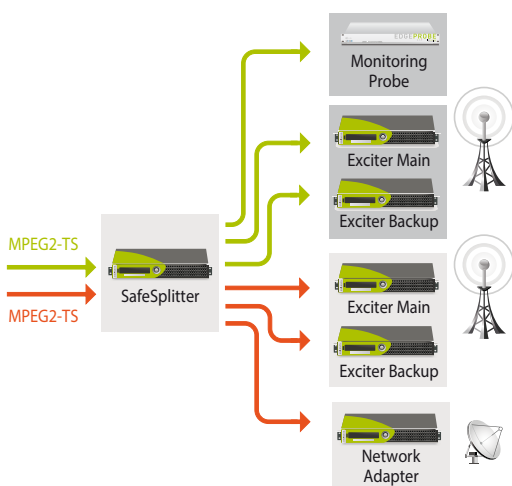


APPLICATIONS

- Duplicate an MPEG-2 TS over ASI to multiple outputs
- Feed redundant devices from a single MPEG-2 TS
- Embedded comprehensive TS monitoring of TS

BENEFITS

- Multi-standard applicable (DVB, ATSC, ISDB,...)
- Video agnostic: MPEG-2, H264 or HEVC
- Maintain service continuity
- Cost effective: 2 channels in the same unit
- Transparent for end-to-end network devices
- Straight forward integration into any NMS



CHARACTERISTICS

- Dual 1:3 ASI splitter
- ETR290 monitoring
- Service Availability Error monitoring
- Service Degradation monitoring
- Service Bit rate monitoring
- TS multiplex monitoring
- Bypass mechanism support
- Easy-to-use web based GUI
- Full SNMPv2 support
- Redundant power supply as an option



INPUTS

Control	2x Gigabit Ethernet (RJ45) for GUI/SNMP
MPEG-2 TS	1x ASI input for first channel 1x ASI input for second channel

OUTPUTS

MPEG-2 TS	3x ASI outputs for first channel 3x ASI outputs for second channel
Availability	Bypass mechanism to always output incoming MPEG-2 TS

FEATURING

ASI splitter	Dual 1:3 ASI splitter Duplicate the incoming MPEG-2 TS over 3 different ASI outputs
Service continuity	Bypass mechanism to always output the incoming MPEG-2 TS
Embedded monitoring	ETR 290 level 1,2, 3 T2-MI monitoring MIP monitoring Service bit rate monitoring PID monitoring Service Availability monitoring Service Degradation monitoring TS multiplex monitoring
Output mode	Byte mode Packet mode
Monitoring	Real-time monitoring of incoming streams, Web-based GUI
Supervision	Full SNMP v2 support Straight forward integration into NMS



PHYSICAL

Height	44 mm / 1.7 in.
Width	444 mm / 17.48 in.
Depth	274 mm / 10.79 in.
Format	1 RU, width 19"
Power supply	100-240VAC 48V DC (option)
Power consumption	20W
Operating temperature	0 to 55°C / 0 to 131°F
Storage temperature	-20 to 70°C / -4 to 158°F
Humidity	0 to 90%, non-condensing

ORDERING CODES

SafeSplitter Dual 1:3 ASI splitter

Options

NN6-QoS	SAE/SDE QoS monitoring
NN6-In48V	48 V input instead of 110V/220V
NN6-In220VRedundant	110V/220V redundant power supply
NN6-In48VRedundant	48V DC redundant power supply

