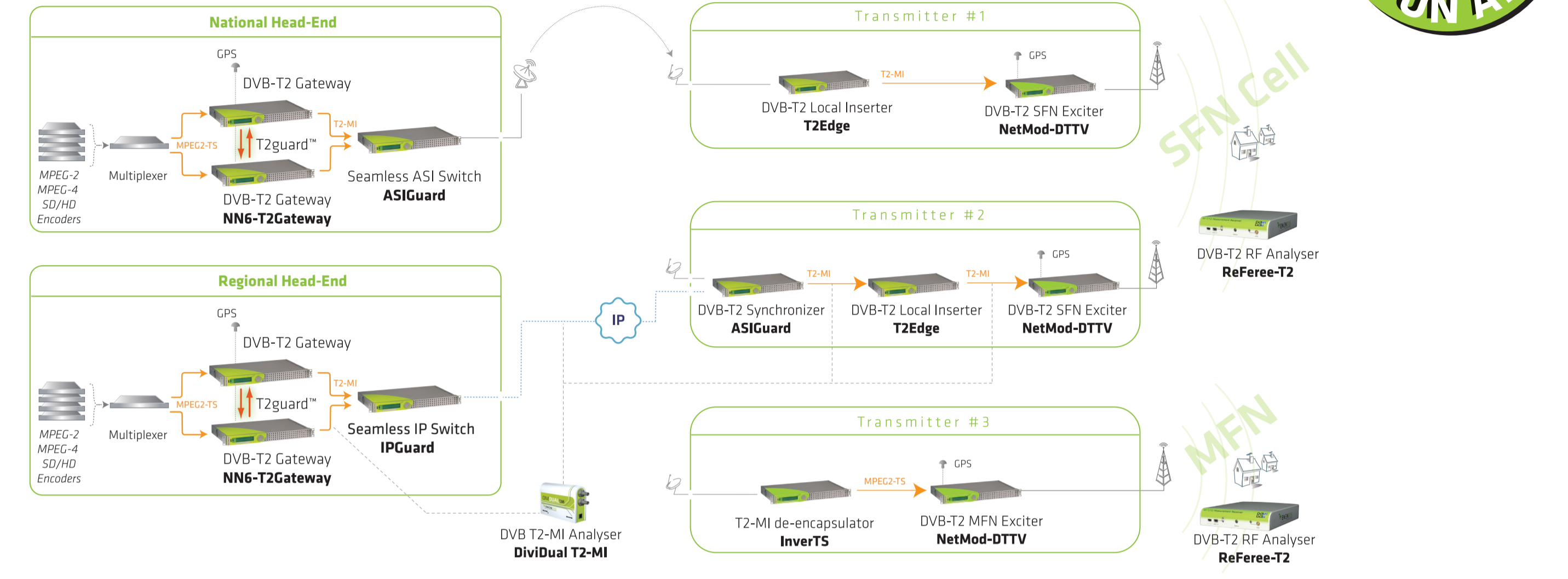


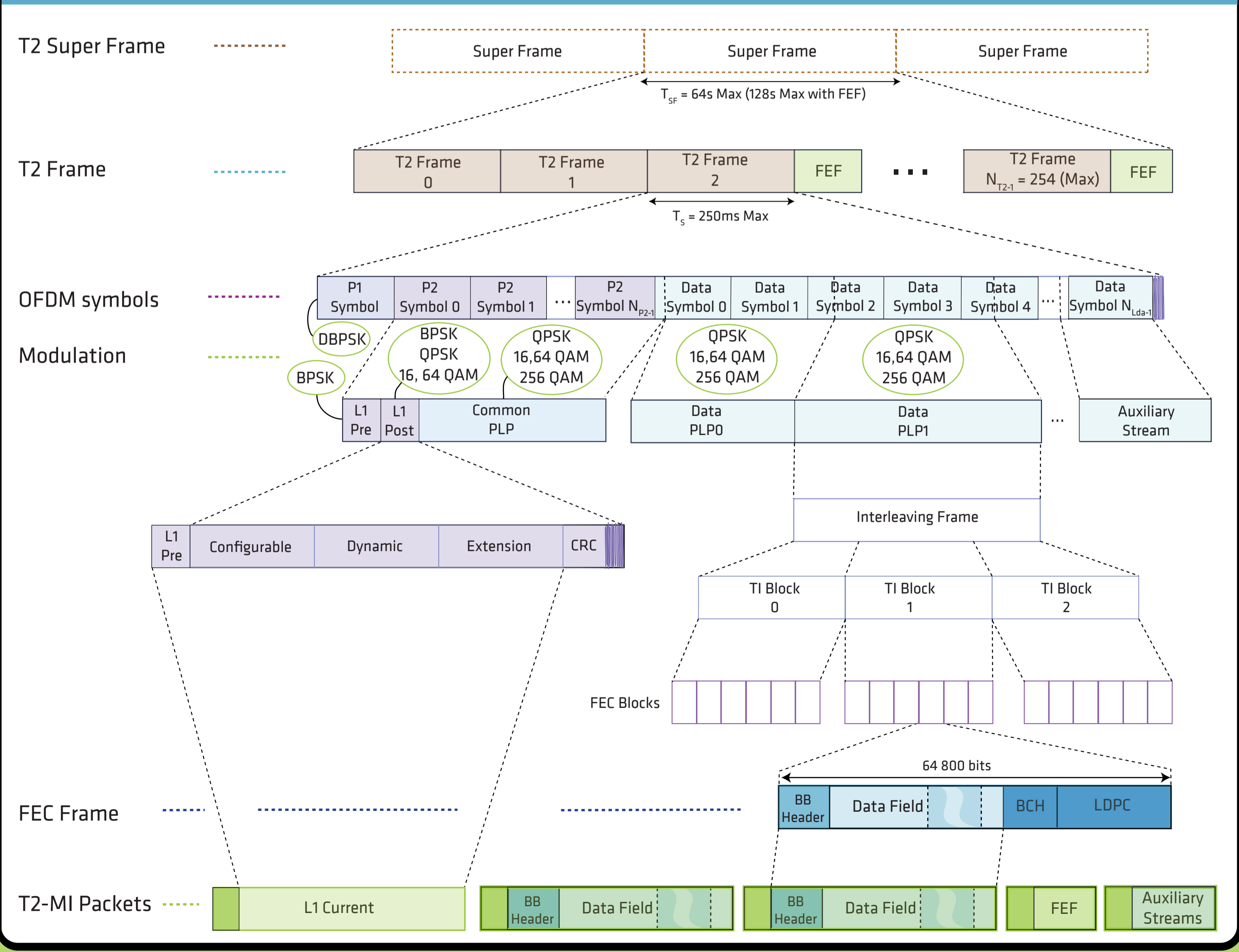
DVB-T2 vs DVB-T

	DVB-T2	DVB-T2 Lite	DVB-T
FEC	LDPC + BCH	LDPC 16k only	CC + RS
Code Rate	1/2, 3/5, 2/3, 3/4, 4/5, 5/6	1/2, 3/5, 2/3, 3/4, 2/5, 1/3	1/2, 2/3, 3/4, 5/6, 7/8
Constellation	QPSK, 16 QAM, 64 QAM, 256 QAM	QPSK, 16 QAM, 64 QAM, 256 QAM (up to code rate 3/5)	QPSK, 16 QAM, 64 QAM
Guard Interval	1/4, 19/256, 1/8, 19/128, 1/16, 1/32, 1/128	Reduced set of combinations of FFT size, GI and Pilot Patterns	1/4, 1/8, 1/16, 1/32
FFT size	1K, 2K, 4K, 8K, 16K, 16K ext, 32K, 32K ext	2K, 4K, 8K, 16K, 16K ext.	2K, 8K
Scattered Pilots	1%, 2%, 4%, 8% of total	PP8 not allowed	8% of total
Continual Pilots	0,35 % of total	0,35% of total	2,6 % of total
Bandwidth	1,7, 5, 6, 7, 8, 10 Mhz	1,7, 5, 6, 7, 8 Mhz	5, 6, 7, 8 Mhz
Max. Bandwidth	50,34 Mb/s	4 Mb/s per PLP	31,66 Mb/s

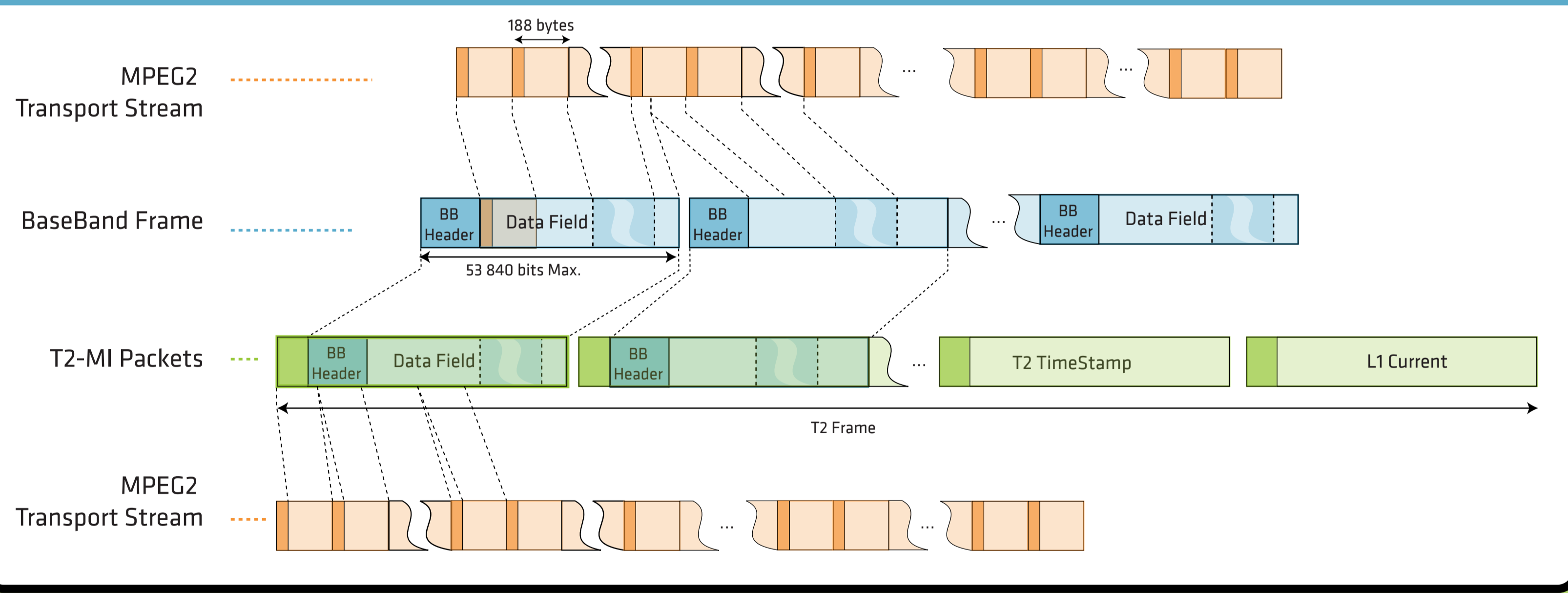
DVB-T2 digital TV broadcast architecture



DVB-T2 Framing



T2-MI Encapsulation



T2-lite overview

