

## NN6-3011



# SPI (LVDS/TTL) to ASI Interface Converter

**Facing an interworking issue ?**

**Looking for Interface Conversion solutions in:**

- Broadcasting chain migration
- Interoperability issue in R&D
- Systems integration
- Connection of test & monitoring equipments... ?

### Features

- MPEG2 interface (DVB, ATSC)
- SPI Parallel to Serial interface
- Accepts DVB-SPI (LVDS or TTL)
- Conversion to DVB-ASI
- TS packet size changing
- PCR restamping
- Power redundancy
- Fault relay alarm
- 1x DVB SPI input (LVDS)
- 1x DVB SPI input (LVTTTL)
- 2x mirrored ASI outputs

### Product highlights

- Cost effective converter
- Compact : 103mm width
- Robust
- 19" 1RU rack mountable
- Professional quality

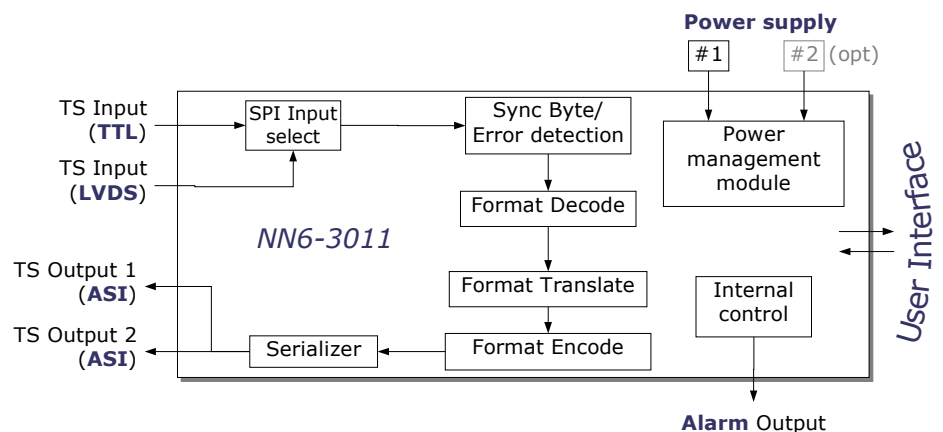
**ENENSYS™ Technologies can help you solve your problem!**

**With its Baseband Converters and Network Adapters product lines for DVB and ATSC, ENENSYS Technologies masters B2B interoperability solutions for broadcasting professionals.**

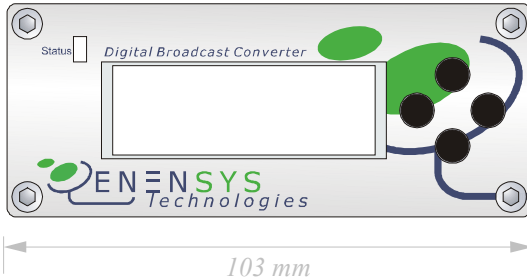
**NN6-3010 interface** converts any SPI parallel MPEG2 Transport Stream (either LVDS or TTL electrical signaled) to a DVB ASI serial stream.

Delivered as stand alone interface, NN6-3011 **SPI (LVDS or TTL) to ASI converter** is fed by a high MTBF external power supply. It can be used on a lab working desk, or for demonstration purpose. It can also be rack-mounted for easy integration in a Digital Broadcast chain.

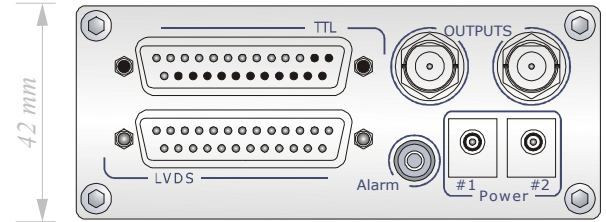
▶▶ **Interface converter comes standard with fault relay, packet size changing and power redundancy capabilities.**



►► Designed to meet your professional requirements !



ORDERING CODE	
<b>NN6-3011EU</b>	EU plug
<b>NN6-3011UK</b>	UK plug
<b>NN6-3011US</b>	US plug



### SPI (LVDS or TTL) to ASI conversion

one parallel input or the other can be used (LVDS or LVTTTL), two mirrored DVB-ASI signals are available in output. Two modes of ASI generation: continuous or byte mode (user defined).

### Packet size changing

MPEG Transport Stream packet size of **188, 188+16 or 204 bytes per packet** is automatically detected at input, and output framing can be set to 188, 204 or 208 bytes per packet where bandwidth and selected input mode allow it.

### Alarm generation

alarm activation can be set on power, framing errors, signal quality. Compatible with major alarm & redundancy management systems.

### Power redundancy

by addition of a second external power supply.

### Rack-mount kit

easily fits into crowded 19" equipment racks. Up to 4 converting units can be hosted by a 1U sub-rack.

### Professional quality

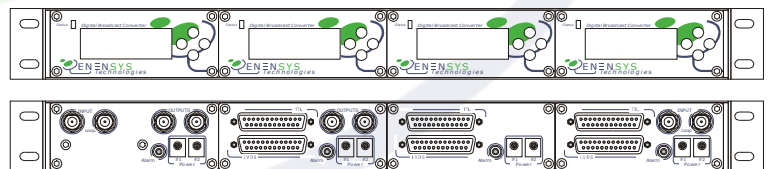
**NO COMPROMISE DESIGN** using the best parts available wherever possible, including gold plated connectors, lead-free board plates, robust aluminium chassis, high MTBF power supply.

### Safety and EMC figures

converter + its PSU fully meet requirements emitted by CE and FCC certification bodies.

INPUT	
<b>Parallel data input</b>	MPEG2 Transport Stream (ISO-IEC 61883)
Data format #1	DVB-SPI (LVDS): Low Voltage Differential Signal As per EN50083-9, DVB A010
	Or DVB-SPI (LVTTTL): Transistor-Transistor Logic As per EN50083-9, DVB A010
Connector	2x D-Sub 25 (one dedicated to each parallel input)
Max bit rate	108 Mbps (operation up to 216 Mbps possible)
Packet format	188, 188+16 or 204 bytes per packet -autodetected
OUTPUTS	
<b>Serial outputs</b>	MPEG2 Transport Stream (ISO-IEC 61883)
Data format	ASI compliant (Asynchronous Serial Interface) As per DVB A010 ASI-C, EN50083-9
Connector	2x BNC 75 ohms
Max bit rate	Up to 216 Mbps in ASI
ASI mode	Burst (packet) or Continuous
Packet framing	188 or 204 bytes per packet

ALARM / STATUS	
<b>ALARM</b>	1x alarm output (Jack 3.5mm: dry relay) Can be connected to Dry relay / SNMP module Compatible with alarm manager systems
Status led	3 levels state indicator
MECHANICAL	
<b>Dimensions (whd)</b>	103x42x165 (in millimeters) 4.13x1.65x6.30 (in inches)
Weight	0.5 kg (1.1 lb)
GENERAL	
Power supply	External supply unit ( <i>included: specify plug type</i> )
Connectors	1+1 DC inputs (load balancing ready)
<b>Power redundancy</b>	Achieved by the use of a second adapter ( <i>optional</i> )
User Interface	LCD and buttons on front panel
<b>Rack mount option</b>	19" mounting kit hosting 4 converters (1RU height)



### About ENENSYS Technologies:

ENENSYS Technologies proposes a large range of Digital TV interfaces surely meet your interoperability needs in the field of MPEG2 signals. With its Baseband Converters line, ENENSYS Technologies provides solutions to interface MPEG2 DVB or ATSC baseband signals over DVB-ASI, M2S, DVB-SPI (LVDS, TTL), RS-422, SSI, SMPTE-310, DHEI...

### ENENSYS Technologies

Le Germanium  
80 avenue des Buttes de Coesmes  
35700 Rennes  
FRANCE

Office (+33) 1 70 72 5170  
Fax (+33) 2 99 36 03 84  
contact@enensys.com

ACCESSORIES	ORDERING CODE
External Power Supply Unit (EU plug)	NN6-PSEU
External Power Supply Unit (UK plug)	NN6-PSUK
External Power Supply Unit (US plug)	NN6-PSUS
19" Rack mount kit	NN6-RCKM
Coax cable 75 ohms (5 meters)	NN6-CX75
Parallel 25 pins cable (1.5 meters)	NN6-PC25
SMA to BNC adapter	NN6-BBAD

www.enensys.com