

# GigaCaster DMB

## ETI over IP Gateway

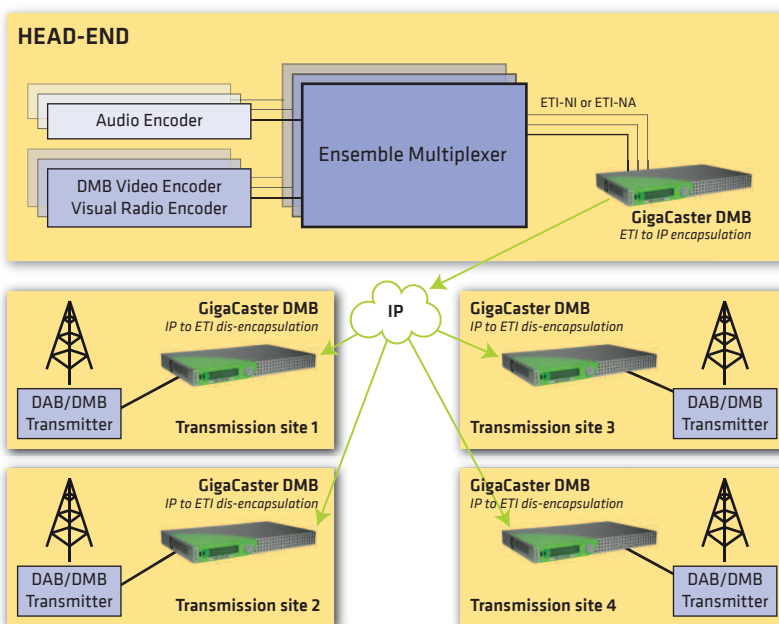


GigaCaster DMB gateways provide a cost effective, flexible and highly reliable solution for transporting DAB, DAB+, DMB or T-DMB content over IP networks.

GigaCaster DMB gateways can handle up to 4x streams in both ETI to IP or IP to ETI directions.

GigaCaster DMB gateways are compliant with ETSI Digital Radio Mondiale (DRM) ; Distribution and Communications Protocol (DCP) standard (ETSI TS 102 821).

GigaCaster DMB gateways provide advanced network jitter removal (patent pending) and error correction thus allowing the preservation of Single Frequency Networks (SFN).



DAB/DMB distribution over IP, from Head-End to transmission sites

### Applications

- Distribution to transmitters
- Contribution (point to point)
- Head-End & sites interconnection

### Benefits

- Lower CAPEX & OPEX
- High performances
- Scalable
- Easy integration in networks
- Carrier grade, 24/7 operation
- Rich & user friendly user interface

### Characteristics

- Up to 4x ETI interfaces + 4x mirrors
- Separate control & data network interfaces
- Advanced network jitter removal
- Forward Error Correction (FEC)
- Uni- or multicast support
- IGMP v2/v3 support
- UDP/DCP support
- VLANs support
- Embedded HTTP server
- Real-time statistics
- Fault relay alarm
- SNMP Traps, Gets & Sets
- Fully configurable through NMS

### Options

- SFN Networks preservation (SFN over IP)
  - External 10 MHz clock input or
  - Internal 10 MHz clock & drift correction
- SFP (fiber links)
- Dual power supply (110-220V or 48V)

# GigaCaster DMB

## ETI over IP Gateway

### Interface

Format	ETI
Number of interfaces	8x ETI interfaces 4x main + 4x mirrors
Connectors	BNC (75Ω)

### Processing

Number of streams	Up to 4x simultaneous streams
Assets	Forward Error Correction (RS) Low bandwidth requirements Advanced network jitter removal SFN preservation (SFN over IP)
Settings	RS code strength ETI output (ETI-NI or ETI-NAs)

### Control & management

Type	10/100bT
Web	Rich client interface with live statistics & monitoring
Front Panel	Key settings
Supervision	Full SNMP v2 support Fully configurable through NMS (Gets, Sets and Traps) MIB files available on request

### Network interface

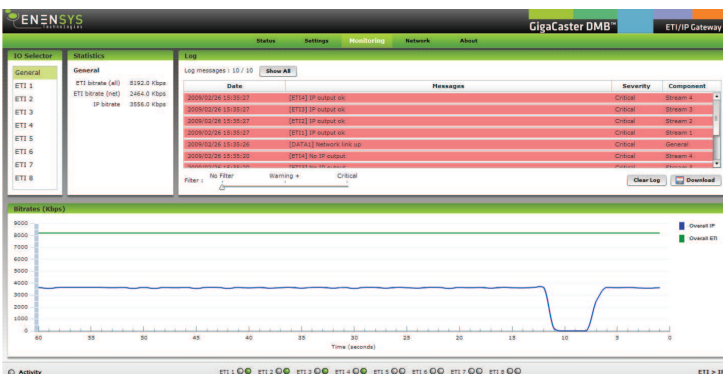
10/100bT	1x control interface
10/100/1000bT	1x data interface
Connectors	RJ45 (optional SFP)
Protocols	UDP/DCP, IGMP, ARP, SNMP

### Physical

Height	43 mm / 1.7 in
Width	440 mm / 17,3 in
Depth	263 mm / 10.4 in
Weight	3.5 kg / 7,7 lb
Format	1 RU, full 19"
Power supply	90-240V or 48V
Power consumption	<40 W

### Environment

Operating temperature	0 to 65°C / 32 to 149 °F
Storage temperature	-20°C to 70°C / -4°F to 158°F
Humidity	0 to 95%, non condensing



### Enensys Technologies

Le Germanium  
80, Avenue des Buttes de Coesmes  
35700 Rennes  
France  
Office (+33) 1 70 72 51 70  
Fax (+33) 2 99 36 03 84  
contact@enensys.com