

NN6-1311



Features

- MPEG2 interface (DVB, ATSC)
- SMPTE 310 to ASI interface
- Enables over 100m cable length
- TS packet size changing
- PCR restamping
- Power redundancy
- Fault relay alarm
- 2x adapted DVB ASI outputs
- 1x SMPTE310 loopthrough

Product highlights

- Cost effective converter
- Compact : 103mm width
- Robust
- 19" 1RU rack mountable
- Professional quality
- No compromise design



SMPTE 310 to ASI Interface

Facing an interworking issue ?

Looking for Interface Conversion solutions in:

- Broadcasting chain migration
- Interoperability issue in R&D
- Systems integration
 - Connection of test & monitoring equipments... ?

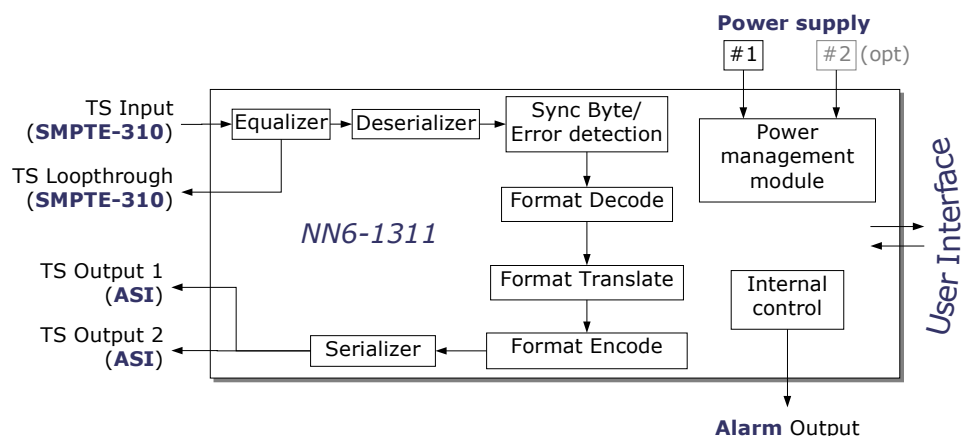
ENENSYS™ Technologies can help you solve your problem!

With its Baseband Converters and Network Adapters product lines for DVB and ATSC, ENENSYS Technologies masters B2B interoperability solutions for broadcasting professionals.

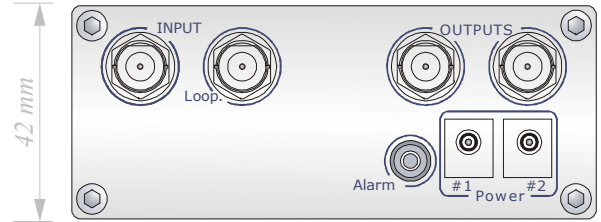
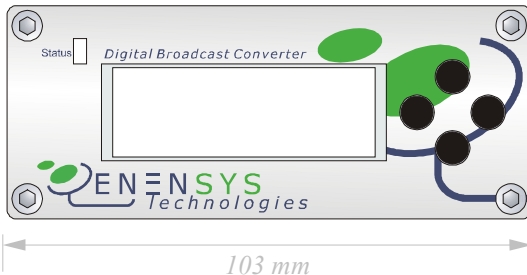
NN6-1311 interface converts MPEG2 Transport Stream from the SMPTE310M serial interface format to the ASI Asynchronous Serial Interface format (DVB-ASI).

Delivered as stand alone interface, NN6-1311 **SMPTE-310 to ASI converter** is fed by a high MTBF external power supply. It can be used on a lab working desk, or for demonstration purpose. It can also be rack-mounted for easy integration in a Digital Broadcast chain.

►► **Interface converter comes standard with fault relay, packet size changing and power redundancy capabilities.**



▶▶ Designed to meet your professional requirements !



ORDERING CODE

NN6-1311EU	EU plug
NN6-1311UK	UK plug
NN6-1311US	US plug

SMPTE310 M to ASI conversion :

serial Synchronous (19.39 / 38.78 Mbps) to Asynchronous conversion. Two modes of ASI generation: continuous mode or burst mode (user defined).

Input equalizer

adapts over 100m cable length (75 ohms adapted, depending on cable quality).

Packet size changing :

output TS with **188 or 204** bytes per packet, removing or adding room for RS (user configurable, depends on input stream characteristics).

Alarm generation

alarm activation can be set on power, framing errors, signal quality. Compatible with major alarm & redundancy management systems.

Power redundancy :

by addition of a second external power supply.

Rack-mount kit :

easily fits into crowded 19" equipment racks. 4 conversion units can be hosted by a 1U sub-rack.

Professional quality

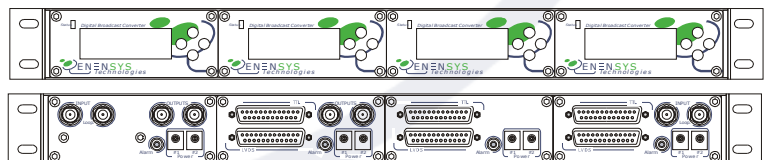
NO COMPROMISE DESIGN using the best parts available wherever possible, including gold plated connectors, lead-free board plates, robust aluminium chassis, highly reliable power supply.

Safety and EMC figures

converter + its PSU fully meet requirements emitted by CE and FCC certification bodies.

INPUT	
Serial data input	MPEG2 Transport Stream (ISO-IEC 61883)
Data format	SMPTE 310 As per SMPTE 310M-1998
Connector	1x BNC 75 ohms
Equalization	Short or long cable length optimization
Bit rate range	19.39 or 38.78 Mbps
Packet framing	188, 204, 208 bytes per packet – autodetection
OUTPUTS	
Serial outputs	MPEG2 Transport Stream (ISO-IEC 61883)
Data format	ASI (Asynchronous Serial Interface) As per DVB A010 ASI-C, EN50083-9
Connectors	2x BNC 75 ohms
Max bit rate	Up to 216 Mbps
ASI mode	Burst (packet) or Continuous
Packet format	188 or 204 bytes per packet - user defined
Loophrough	MPEG2 Transport Stream (ISO-IEC 61883)
Connector	1x BNC 75 ohms
Data format	SMPTE 310
Packet framing	Same as input (188, 204 or 208 bytes per packet)

ALARM / STATUS	
ALARM	1x alarm output (Jack 3.5mm: dry relay) Can be connected to Dry relay / SNMP module Compatible with alarm manager systems
Status led	3 levels state indicator
MECHANICAL	
Dimensions (whd)	103x42x165 (in millimeters) 4.13x1.65x6.30 (in inches)
Weight	0.5 kg (1.1 lb)
GENERAL	
Power supply	External supply unit (<i>included: specify plug type</i>)
Connectors	1+1 DC inputs (load balancing ready)
Power redundancy	Achieved by the use of a second adapter (<i>optional</i>)
User Interface	LCD and buttons on front panel
Rack mount option	19" mounting kit hosting 4 converters (1RU height)



About ENENSYS Technologies:

ENENSYS Technologies proposes a large range of Digital TV interfaces surely meet your interoperability needs in the field of MPEG2 signals. With its Baseband Converters line, ENENSYS Technologies provides solutions to interface MPEG2 DVB or ATSC baseband signals over DVB-ASI, M2S, DVB-SPI (LVDS, TTL), RS-422, SSI, SMPTE-310, DHEI...

ENENSYS Technologies

Le Germanium
80 avenue des Buttes de Coesmes
35700 Rennes
FRANCE

Office (+33) 1 70 72 5170
Fax (+33) 2 99 36 03 84
contact@enensys.com

ACCESSORIES	ORDERING CODE
External Power Supply Unit (EU plug)	NN6-PSEU
External Power Supply Unit (UK plug)	NN6-PSUK
External Power Supply Unit (US plug)	NN6-PSUS
19' Rack mount kit	NN6-RCKM
Coax cable 75 ohms (5 meters)	NN6-CX75