

## NN6-1113



### Features

- MPEG2 interface (DVB, ATSC)
- ASI to SMPTE 310M interface
- Cable equalizer
- TS packet size changing
- PCR restamping
- Power redundancy
- Fault relay alarm
- 2 mirrored SMPTE310 outputs
- 1x ASI loopthrough

### Product highlights

- Cost effective converter
- Compact : 103mm width
- Robust
- 1U height
- 19" rack mountable
- Professional quality
- No compromise design



## ASI to SMPTE310 Interface

### Facing an interworking issue ?

### Looking for Interface Conversion solutions in:

- Broadcasting chain migration
- Interoperability issue in R&D
- Systems integration
  - Connection of test & monitoring equipments... ?

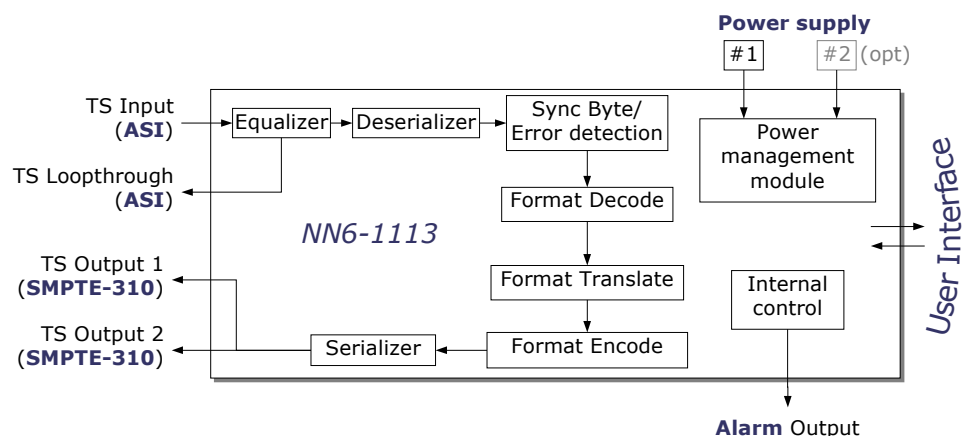
### ENENSYS™ Technologies can help you solve your problem!

**With its Baseband Converters and Network Adapters product lines for DVB and ATSC, ENENSYS Technologies masters B2B interoperability solutions for broadcasting professionals.**

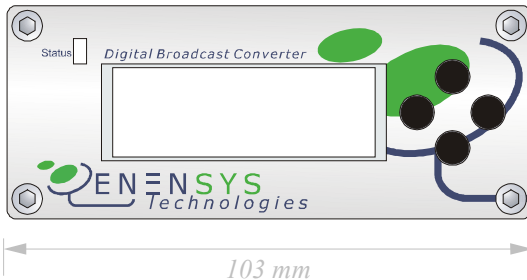
**NN6-1113 interface** converts MPEG2 Transport Stream from a DVB ASI Asynchronous Serial Interface to the SMPTE310M Synchronous Serial Interface.

Delivered as stand alone interface, NN6-1113 **ASI to SMPTE310 converter** is fed by a high MTBF external power supply. It can be used on a lab working desk, or simply travel with you for demonstration purpose. It can also be rack-mounted for easy integration in a Digital Broadcast chain.

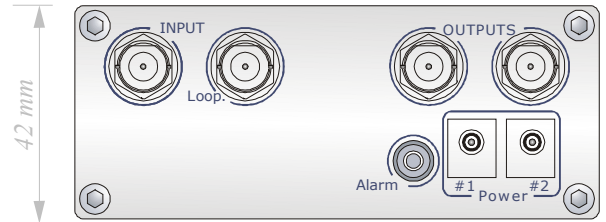
►► **Interface converter comes standard with fault relay, packet size changing and power redundancy capabilities.**



▶▶ Designed to meet your professional requirements !



ORDERING CODE	
<b>NN6-1113EU</b>	EU plug
<b>NN6-1113UK</b>	UK plug
<b>NN6-1113US</b>	US plug



### ASI to SMPTE 310M conversion :

both burst and continuous modes of ASI modes are supported in input.  
Output is SMPTE310 compliant with 19.39 or 38.78 Mbps.

### Input equalizer

adapts over 100m cable length (75 ohms adapted, depending on cable quality).

### Packet size changing :

input TS with 188, 204 or 208 bytes per packet supported, RS Bytes are removed where needed.

### Alarm generation

alarm activation can be set on power, framing errors, signal quality. Compatible with major alarm & redundancy management systems.

### Power redundancy :

by addition of a second external power supply.

### Rack-mount kit :

easily fits into crowded 19" equipment racks. 4 conversion units can be hosted by a 1U sub-rack.

### Professional quality

**NO COMPROMISE DESIGN** using the best parts available wherever possible, including gold plated connectors, lead-free board plates, robust aluminium chassis, highly reliable power supply.

### Safety and EMC figures

converter + its PSU fully meet requirements emitted by CE and FCC certification bodies.

INPUT	
<b>Serial data input</b>	MPEG2 Transport Stream (ISO-IEC 61883)
Data format	ASI (Asynchronous Serial Interface) As per DVB A010 ASI-C, EN50083-9
Connector	1x BNC 75 ohms
Equalization	Short or long cable length optimization
Max bit rate	216 Mbps
ASI mode	Burst (packet) or Continuous – autodetection
Packet framing	188, 204, 208 bytes per packet – autodetection

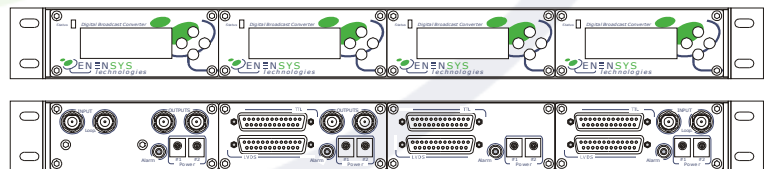
OUTPUTS	
<b>Serial output</b>	MPEG2 Transport Stream (ISO-IEC 61883)
Data format	SMPTE-310 As per SMPTE 310M-1998
Connector	2x BNC 75 ohms
Output bit rate	19.39 or 38.78 Mbps – user defined
Packet format	188 bytes per packet
Processing	PCR restamping

Loopthrough	
<b>Connector</b>	1x BNC 75 ohms
Data format	ASI (Asynchronous Serial Interface)
ASI mode	Same as input (Burst or Continuous)

ALARM / STATUS	
<b>ALARM</b>	1x alarm output (Jack 3.5mm: dry relay) Can be connected to Dry relay / SNMP module Compatible with alarm manager systems
Status led	3 levels state indicator

MECHANICAL	
<b>Dimensions (whd)</b>	103x42x165 (in millimeters) 4.13x1.65x6.30 (in inches)
Weight	0.5 kg (1.1 lb)

GENERAL	
<b>Power supply</b>	External supply unit ( <i>included: specify plug type</i> )
Connectors	1+1 DC inputs (load balancing ready)
<b>Power redundancy</b>	Achieved by the use of a second adapter ( <i>optional</i> )
User Interface	LCD and buttons on front panel
<b>Rack mount option</b>	19" mounting kit hosting 4 converters (1RU height)



### About ENENSYS Technologies:

ENENSYS Technologies proposes a large range of Digital TV interfaces surely meet your interoperability needs in the field of MPEG2 signals. With its Baseband Converters line, ENENSYS Technologies provides solutions to interface MPEG2 DVB or ATSC baseband signals over DVB-ASI, M2S, DVB-SPI (LVDS, TTL), RS-422, SSI, SMPTE-310, DHEI...

### ENENSYS Technologies

Le Germanium  
80 avenue des Buttes de Coesmes  
35700 Rennes  
FRANCE

Office (+33) 1 70 72 5170  
Fax (+33) 2 99 36 03 84  
contact@enensys.com

ACCESSORIES	ORDERING CODE
External Power Supply Unit (EU plug)	NN6-PSEU
External Power Supply Unit (UK plug)	NN6-PSUK
External Power Supply Unit (US plug)	NN6-PSUS
19" Rack mount kit	NN6-RCKM
Coax cable 75 ohms (5 meters)	NN6-CX75